

## Apollo Series 1200

**STANDARD OPERATING VOLTAGE:**

**OPERATING CURRENT (MAX)**

**STANDBY CURRENT**

**STANDBY MODE ACTIVATION**

**AMPLIFIER GAIN - SPEAKER  
MICROPHONE**

**BATTERY**

**ADAPTER DC INPUT**

3V DC

17mA

600 $\mu$ A

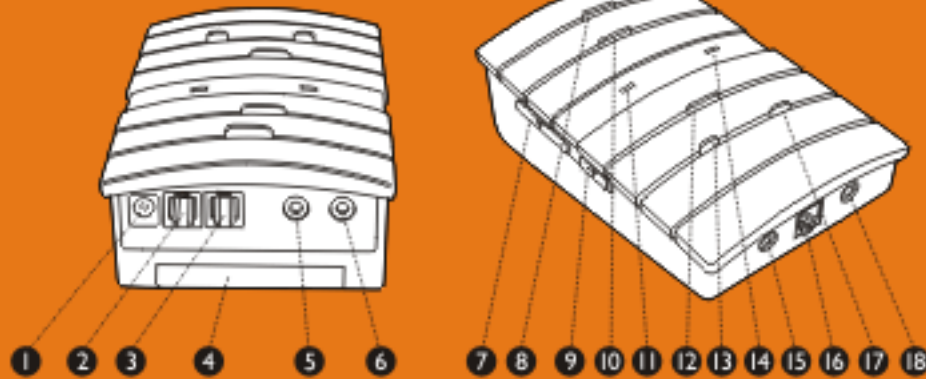
2-3 min. without signal

13dB (Max)

30dB (Max)

2 x "AA"

6V-9V DC



### MAIN SWITCHES AND INTERFACE

1. External DC Supply Jack (6V DC to 9V DC)
2. Modular Jack for Telephone Handset
3. Modular Jack for Input from Telephone Unit
4. Battery Compartment Door
5. <Line In> Jack (3.5mm diameter stereo) from Computer Line Out
6. <Line Out> Jack (3.5mm diameter stereo) from Computer Line In
7. Telephone Configuration Switch
8. <Mute> Switch
9. Power <On/Off> Switch
10. <Mic Volume> Control Switch
11. <Low Battery> LED Indicator
12. <Reception Volume> Control Switch
13. <Telephone/Computer> Application Switch
14. <Online> LED Indicator
15. Computer Headset Jack (3.5mm diameter stereo) from Speaker Plug
16. Modular Jack for Telephone Headset
17. <Headset/Handset> Application Switch
18. Computer Headset Jack (3.5mm diameter stereo) from Microphone Plug

## Specification Sheet